

GLADWIN INDUSTRIES
GP4402 PEARL BOOTH
INSTALLATION

1. GENERAL

1.01 This section provides descriptive information and installation procedures for the Gladwin Industries GP4402 Booth.

1.02 This section is being reissued to change the part number of the Gladwin Industries Pearl Booth. This section supersedes Section 476-509-200, Issue 1, all changes have been indicated by marginal arrows. Remove Issue 1 from the GTE Practice binders and file Issue 2 in its place.

→1.03 The pearl booth (410633) is constructed of white acrylic plastic molded in the shape of a sea shell. The base of the booth forms a directory shelf. A plastic-coated writing shelf is installed above the directory shelf. Indirect lighting is provided by 15-watt fluorescent tubes and multi-colored diffusers.

2. INSTALLATION

→2.01 The GP4402 pearl booth must be mounted on a wall at a location where the 8-foot power cord can be plugged directly into an ac power receptacle. Install the pearl booth as follows:

- (1) A template for locating mounting holes is shipped with each pearl booth. A diagram of the template is shown in Figure 1a. Mark the hole locations on the wall (bottom holes centered 44 inches above the surface the customer will stand on). Drill holes for appropriate fastening device.
- (2) Remove the two plastic light diffusers (see Figure 1b) from the steel backboard. (Each diffuser is held in place by one screw near its top.)
- (3) Remove the fluorescent lamps.

- (4) Mount the pearl booth with six appropriate fasteners through the large holes in the front of the steel backboard and through the holes in the plastic shell and masonite backboard.
- (5) Replace the fluorescent lamps.
- (6) Replace the two plastic diffusers.
- (7) Remove the wiring compartment cover located in the directory space (see Figure 1c).
- (8) Mount the ringer box on the metal mounting bracket underneath the booth.
- (9) Run station wire to the ringer box. Pull the station wire from the ringer box through the left-hand hole in the metal mounting bracket and plastic shell to the wire channel in the wiring compartment via entrance B (see Figure 1c). From the wire channel feed station wire through hole C, through the wire channel in the steel backboard and out through hole A (see Figure 1b) at the coin telephone location.
- (10) Install the coin telephone.

NOTE: Coin telephone mounting, wire termination, grounding, and installation test procedures are provided in Section 476-200-200.

- (11) Plug the booth power cord into an ac outlet.

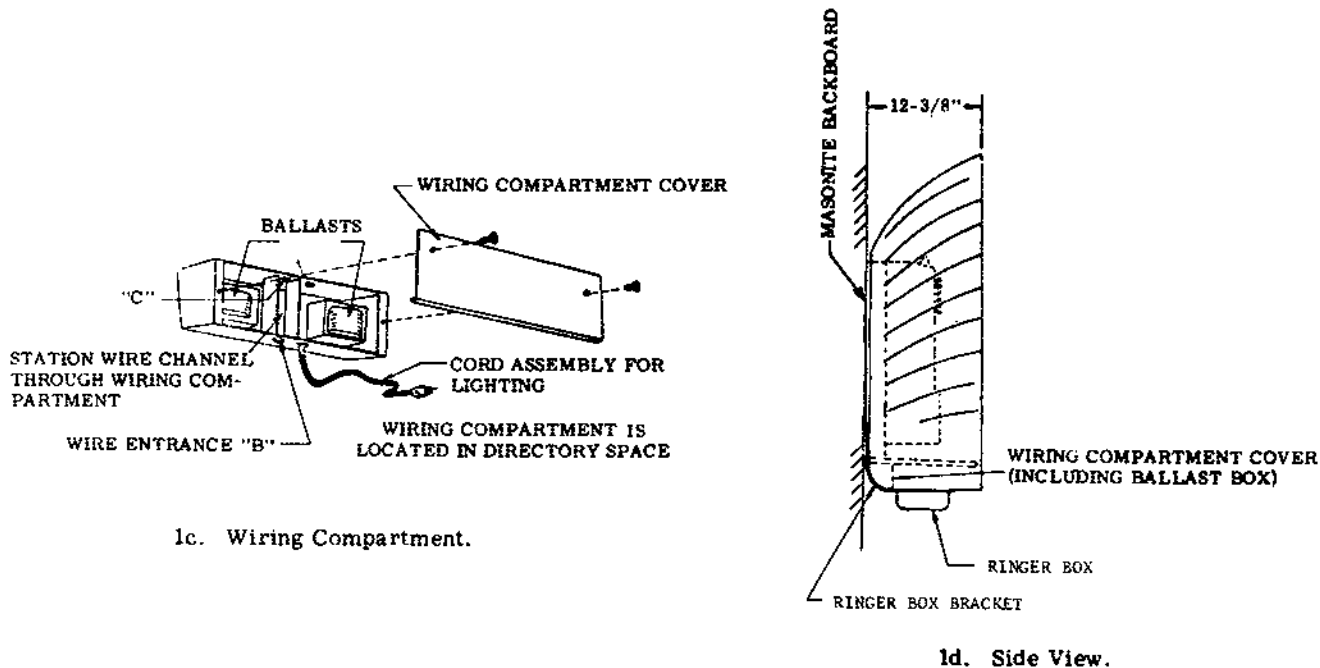
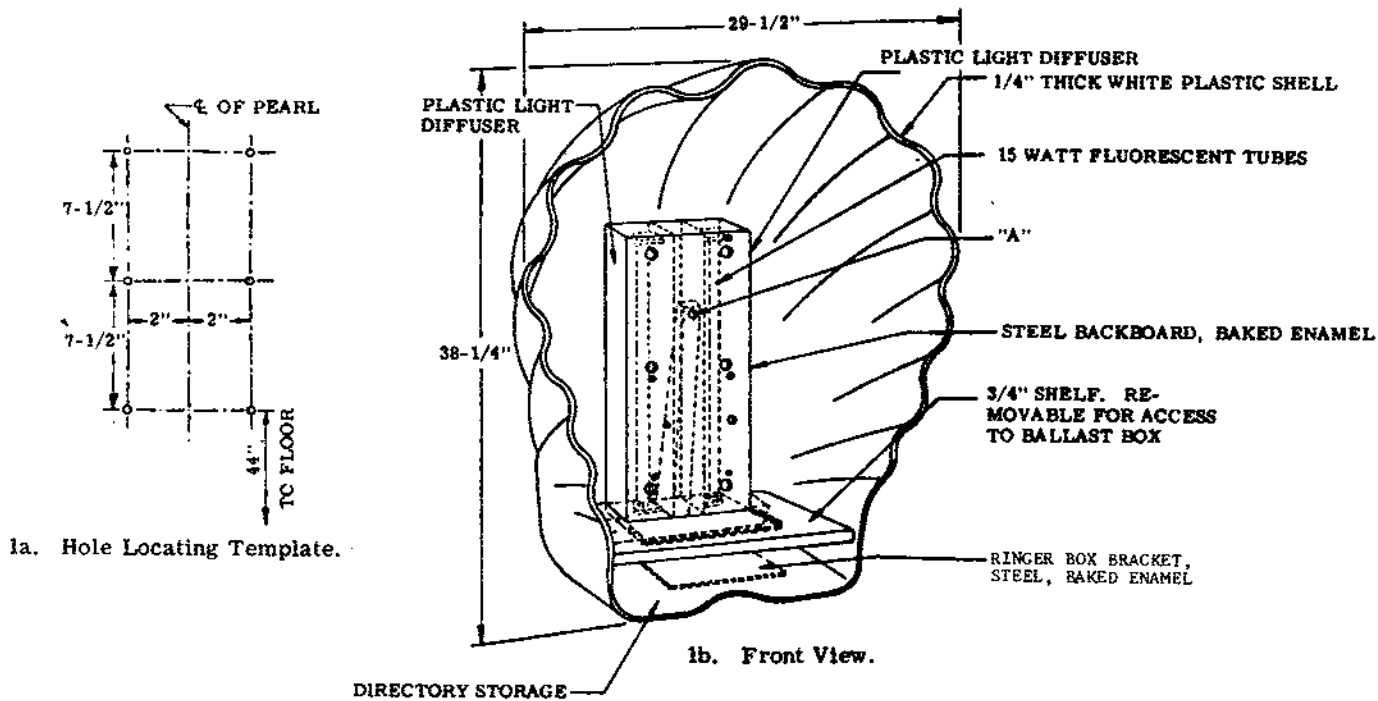


Figure 1. Installation Details for GP4402 Pearl Booth.